

Notes.

[1] The board is designed to accommodate either a T0-220 or D-pack case. Do not install both packages.

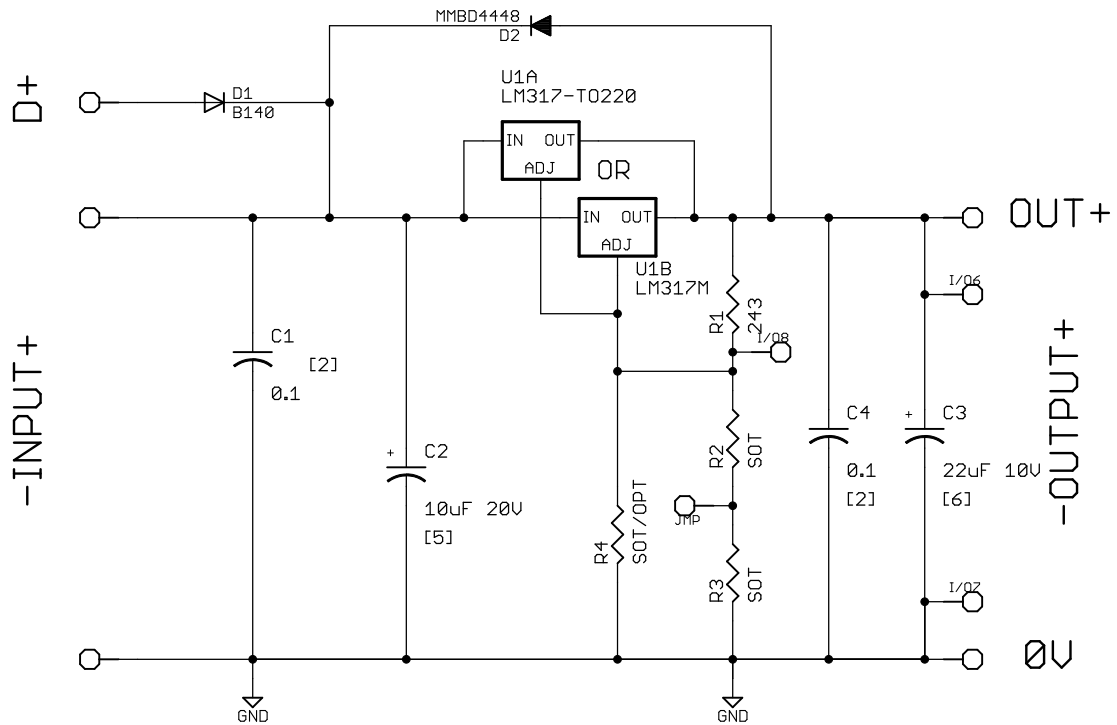
[2] C1 and C4 are in 0805 case, and 50 V rating.

[3] Resistors except R4 are 1% 1/4 W 1206 packages.

[4] R4 is 1/4 W through-hole. Select on test/optional.

[5] Case size 'B' (3528). Can be other values, e.g 3.3 uF 33 V. Do not exceed the rated voltage at the input.

[6] Case size 'B' (3528). Can be other values, e.g 47 uF 6.3 V. Do not exceed the rated voltage.



PLD Designs	6681 Nathan Rd. Nanaimo BC Canada V9T 6J3	(250) 390-4205 Fax (250) 390-4215
TITLE: LinReg		
Document Number:		REV:
Date: 1/25/2011 12:54:08 PM		Sheet: 1/1