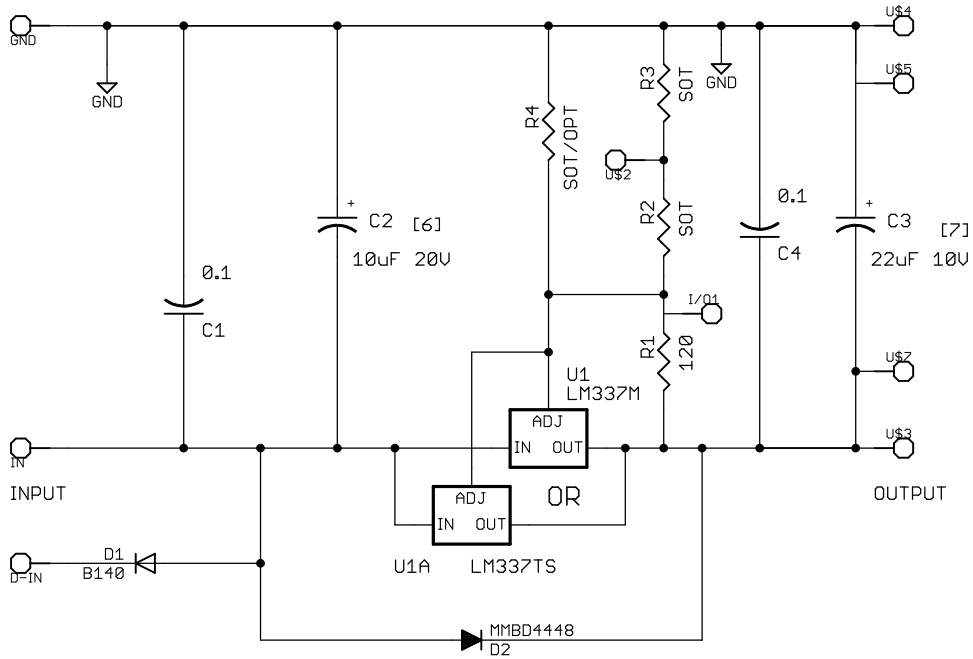


Notes.

- [1] The board is designed to accommodate either a T0-220 or D-pack case. Do not install both packages.
- [2] C1 and C4 are in 0805 case, 50 V rating.
- [3] Resistors except R4 are 1% 1/4 W 1206 packages.
- [4] R4 is 1/4 W through-hole. Select on test/optional.
- [5] R2, R3 and R4 combine as required to attain desired output Voltage.
- [6] C2 is case size 'B' and can be other values, e.g 3.3 uF 33 V
- [7] C4 is case size 'B' and can be other values, e.g 47 uF 6.3 V



PLD Designs	6681 Nathan Rd. Nanaimo BC Canada V9T 6J3	(250) 390-4205 Fax (250) 390-4215
TITLE: NegLinReg		
Document Number:		REV:
Date: 03-Mar-2010 11:02:52 AM		Sheet: 1/1