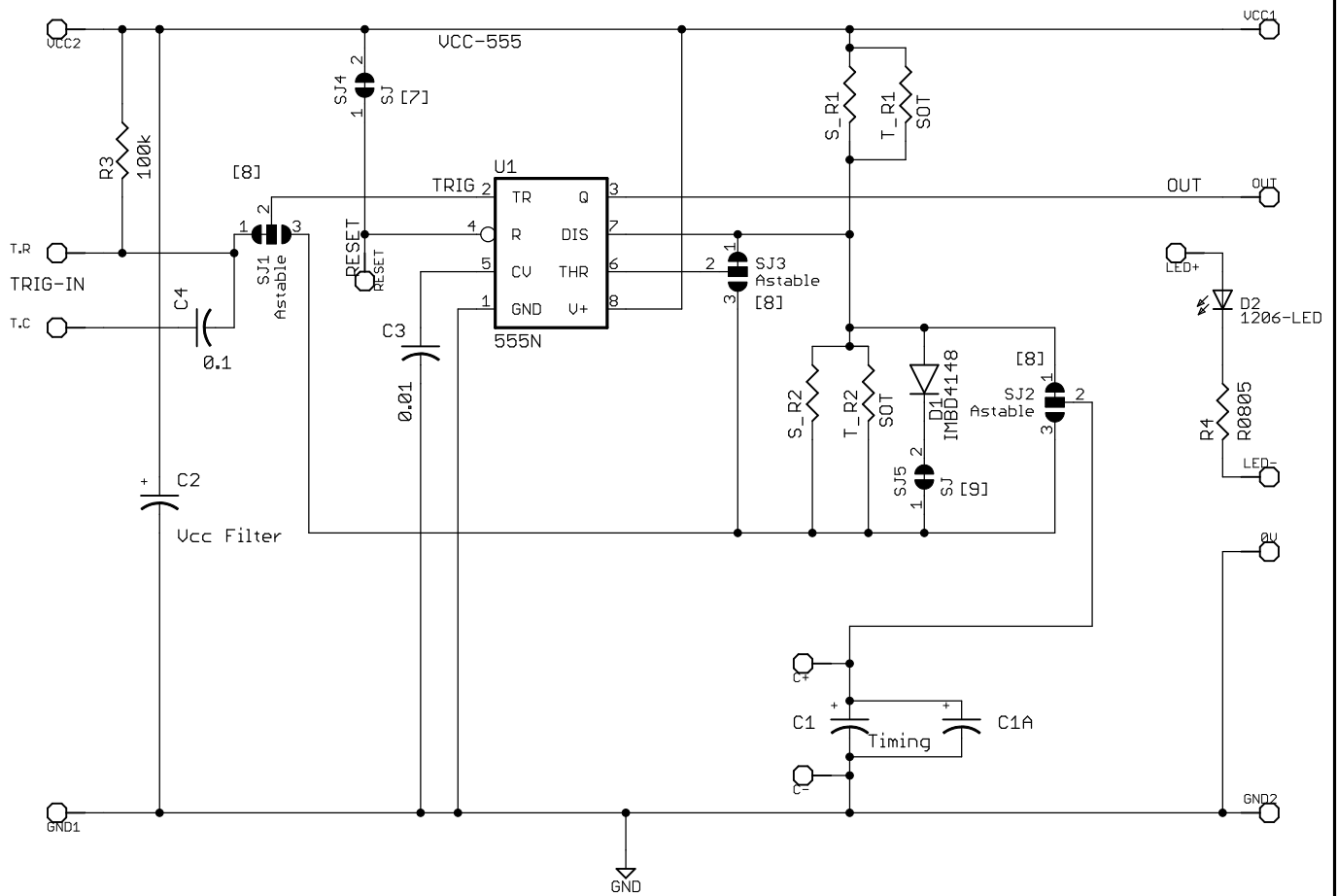


Notes:

- [1] For Monostable operation, install solder blobs between 1 and 2 of all three 3-place SJ positions (see [8]).
- [2] For Astable operation, install solder blobs between 2 and 3 of all three 3-place SJ positions.
- [3] Apply solder blob at SJ4 if external reset is not wanted.
- [4] D1 is optional and only applies to Astable mode.
- [5] LED at D2 can be wired to illuminate when output is High or Low.
- [6] Timing capacitor can be through-hole or SMD (3216 or 7243 case).
- [7] SJ4 has an initial track joining the ends (reset is inactive).
- [8] SJ1, 2 and 3 all have initial tracks configuring the board for monostable mode.
- [9] SJ5 has an initial track connecting D1 in-circuit.



PLD Designs	6681 Nathan Rd. Nanaimo BC Canada V9T 6J3	(250) 390-4205 Fax (250) 390-4215
TITLE: 555-B		
Document Number:		REV:
Date: not saved!		Sheet: 1/1