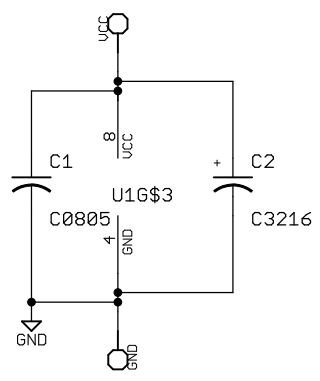
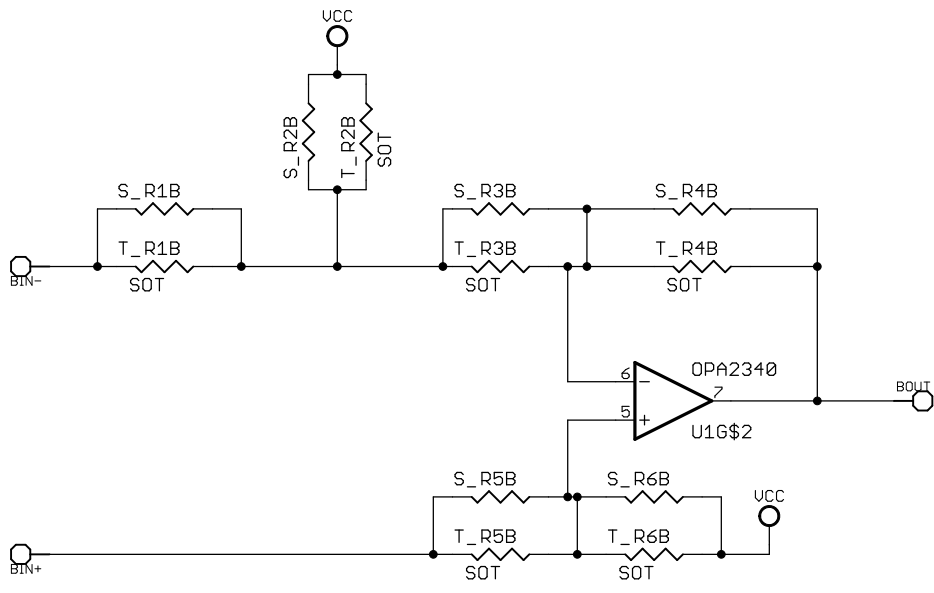
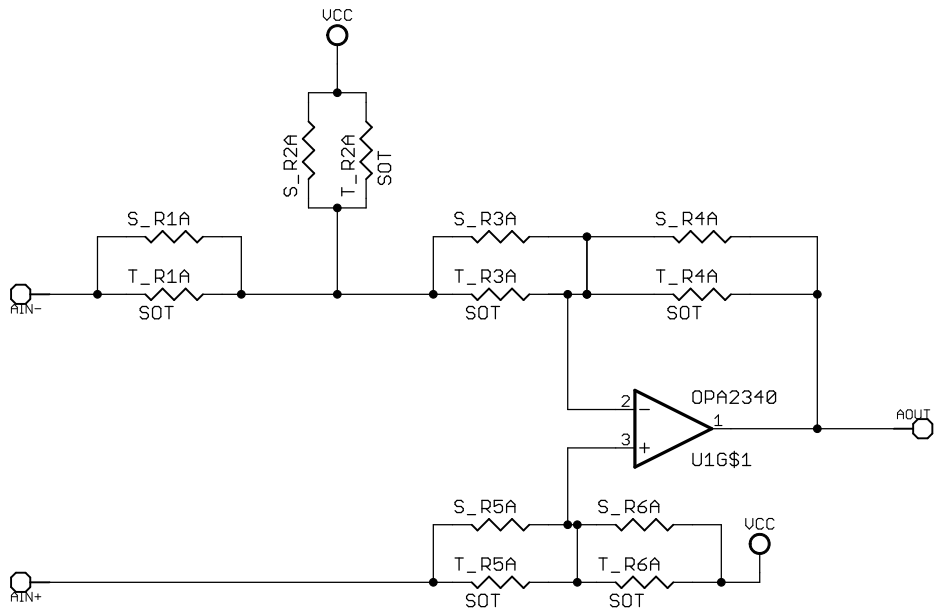


Notes.
 [1] RxxS (SMD) Resistors are 0805 (1/6 or 1/8 W) packages.
 [2] RxxT (Through-hole) Resistors are SOT.



PLD Designs	6681 Nathan Rd. Nanaimo BC Canada V9T 6J3	(250) 390-4205 Fax (250) 390-4215
TITLE: DualSS_OA		
Document Number:		REV:
Date: 15-Dec-2007 2:21:12 PM		Sheet: 1/1