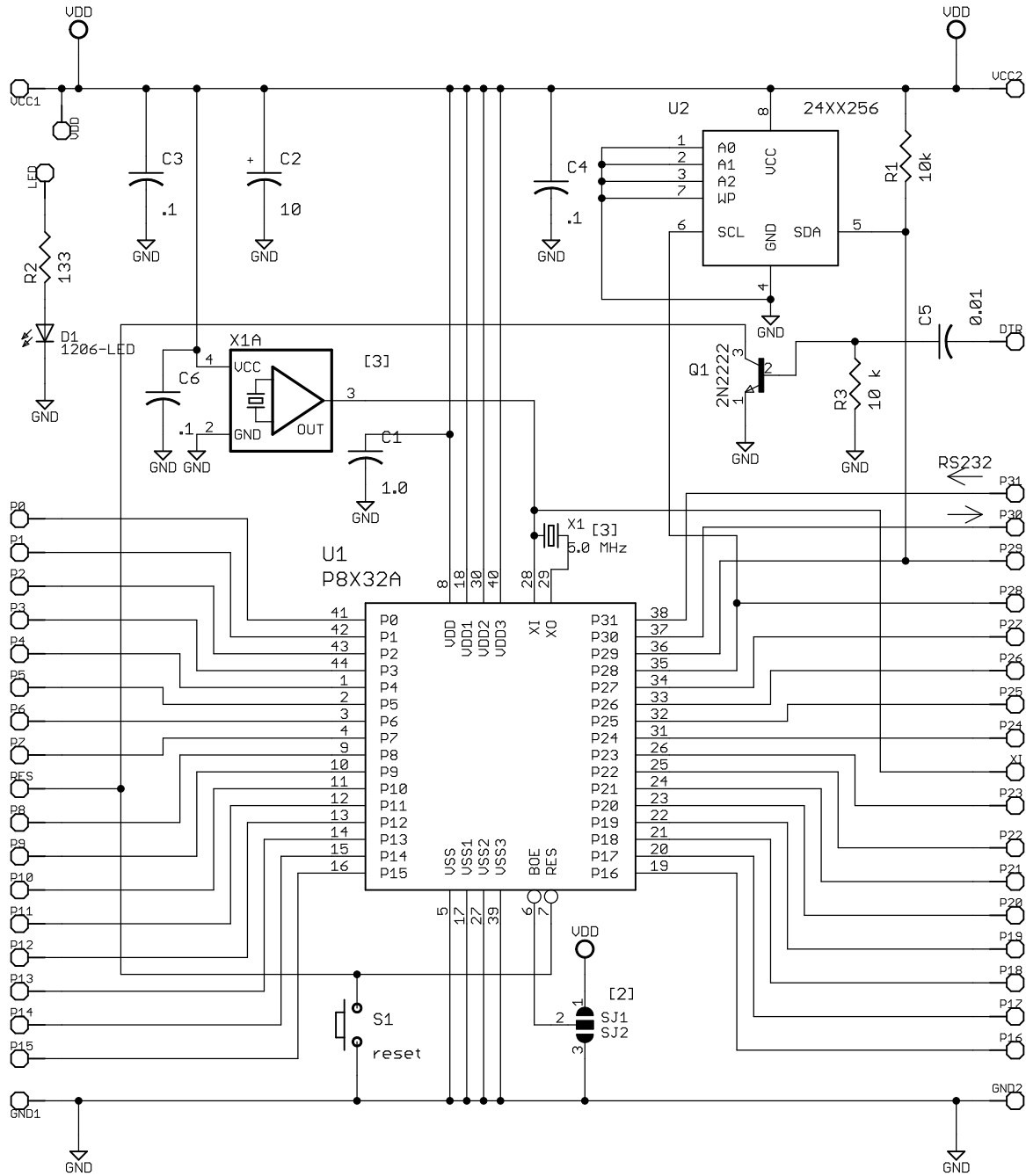


Notes.

[1] Vdd is a 3.3 V supply only.

[2] BOE normally connects to Vdd, but can be tied to ground to put the /reset into a weak output mode.

[3] If X1 (HC-49 or HC-49S package) is installed then X1A and C6 must be absent; if X1A is installed then X1 must be absent.



PLD Designs		6681 Nathan Rd. Nanaimo BC Canada V9T 6J3	(250) 390-4205
TITLE: 4_11_propeller			
Document Number:			REV:
Date: 27-Feb-2012 9:38:28 AM			Sheet: 1/1