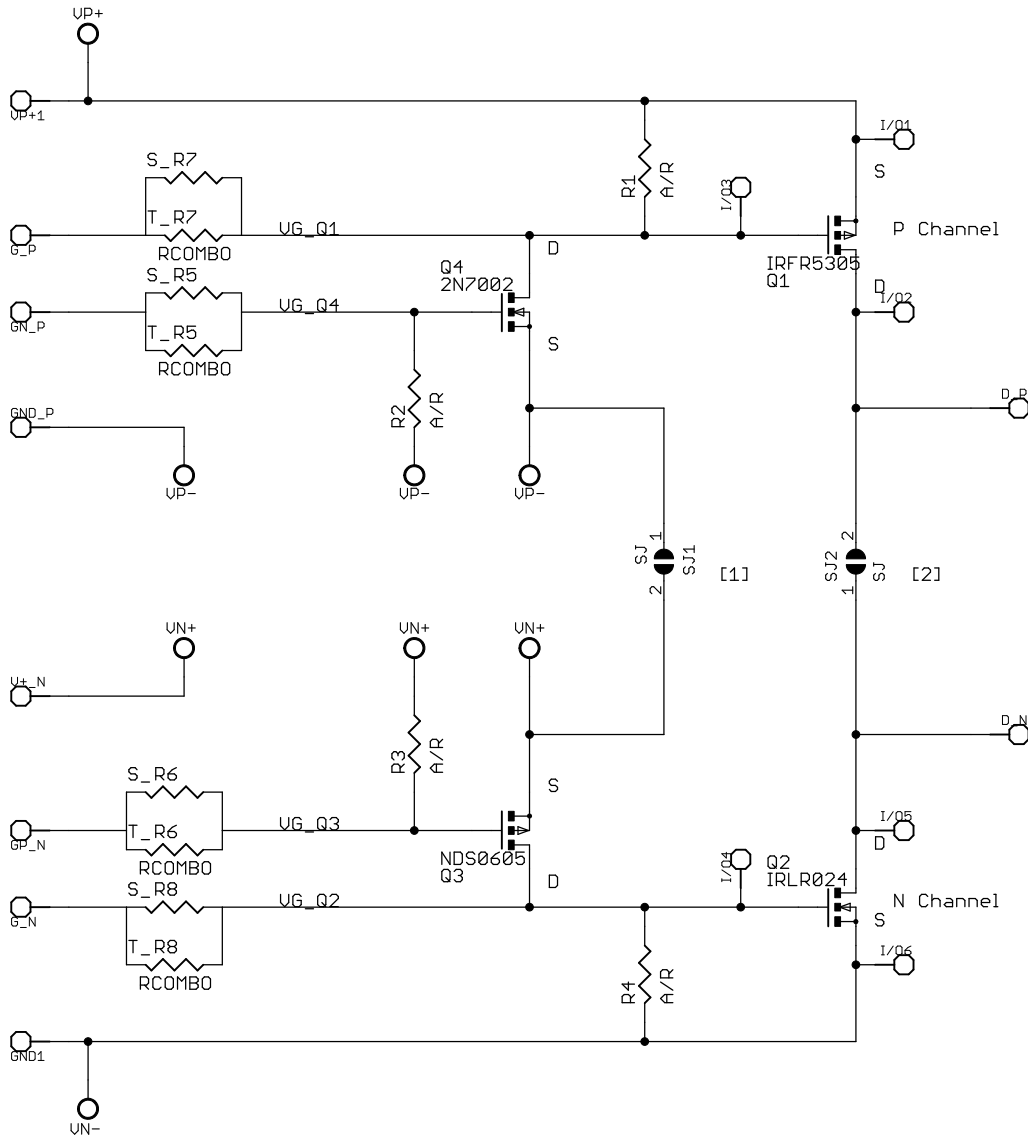


Notes.

[1] Use this solder-blob jumper to connect complimentary pairs of FETs in a bipolar situation. In that case, UP- and UN+ will then both be ground.

[2] Use this solder-blob jumper to connect matched pairs of FETs if it is desired to parallel them. In that case, D_P and D_N, the two drains, will then both be the output, and SJ1 would likely also be connected.



PLD Designs		6681 Nathan Rd.	(250) 390-4205
		Nanaimo BC	
		Canada V9T 6J3	Fax (250) 390-4215
TITLE: PwrFET			
Document Number:			REV:
Date: 22-Nov-2010 9:00:32 AM			Sheet: 1/1