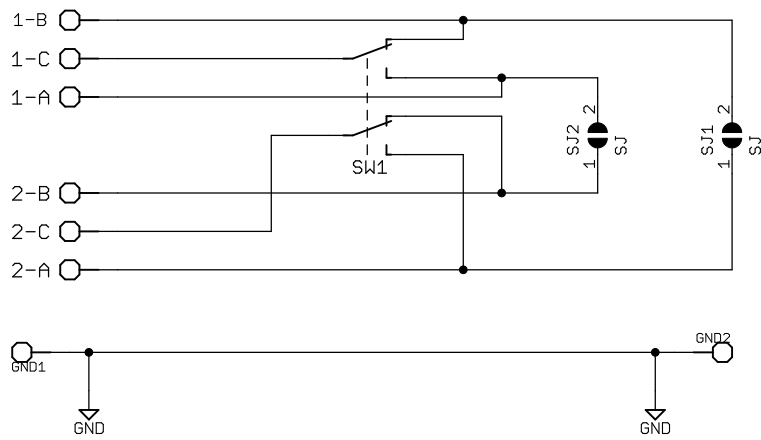


Notes.

[1] To use as a reversing switch simply apply solder-blob jumpers at SJ1 and SJ2.



PLD Designs	6681, Nathan Rd. Nanaimo BC Canada V9T 6J3	(250) 390-4205 Fax (250) 390-4215
TITLE: DPDT		
Document Number:		REV:
Date: not saved!		Sheet: 1/1